

# Shelly Pro 3 V1

---



## Device identification

- Device name: **Shelly Pro 3**
- Device model: **SPSW-003XE16EU**
- Device SSID: **ShellyPro3-XXXXXX**

## Short description

Shelly Pro 3 is a DIN rail mountable 3-channel smart switch with potential-free contacts, capable of switching 3 completely independent circuits, including 3-phase ones. Enhanced with all the gen2 firmware flexibility and LAN connectivity, it provides professional integrators with many more options for end customer solutions. It can work standalone in a local Wi-Fi network or it can also be operated through cloud home automation services.

Shelly Pro 3 can be accessed, controlled and monitored remotely from any place where the User has internet connectivity, as long as the device is connected to a Wi-Fi router and the Internet.

Shelly Pro 3 has an embedded Web Interface which can be used to monitor and control the device, as well as adjust its settings.

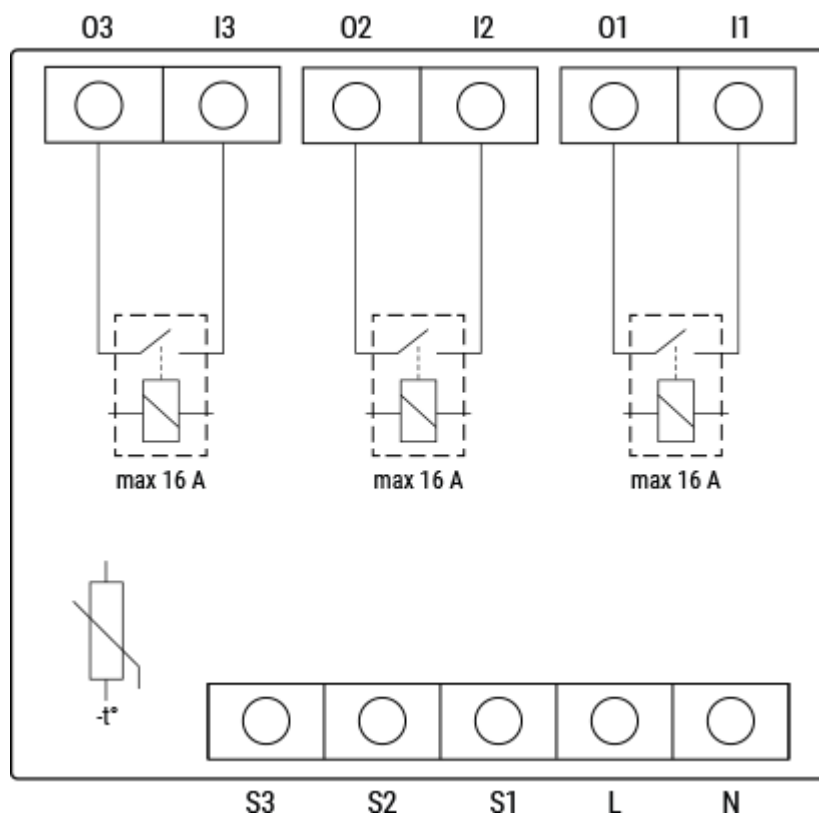
# Main applications

- Residential
- MDU (Multi Dwelling Units - apartments, condominiums, hotels, etc.)
- Light commercial (small office buildings, small retail/restaurant/gas station, etc.)
- Government/municipal
- University/college

# Integrations

- Google
- Samsung SmartThings
- Alexa

# Simplified internal schematics



# Device electrical interfaces

## Inputs

- 3 switch/button inputs on screw terminals: **S1**, **S2** and **S3**
- 2 power supply inputs on screw terminals: 1 **N** and 1 **L**

- 3 relay inputs: **I1**, **I2** and **I3**

## Outputs

- 3 relay outputs: **O1**, **O2** and **O3**

## Ethernet port

- 1 RJ45 connector

**⚠CAUTION!** Plug in or unplug the LAN cable only when the Device is powered off! The LAN cable connector must not be metallic in the parts touched by the user to plug in or unplug the cable.

## Connectivity

- Ethernet
- Wi-Fi
- Bluetooth

## Safety features

- Overheating protection

## Supported load types

- Resistive (incandescent bulbs, heating devices)
- Capacitive (capacitor banks, electronic equipment, motor start capacitors)
- Inductive with RC Snubber (LED light drivers, transformers, fans, refrigerators, air-conditioners)

## User interface

### Inputs

- One tactile dome button
  - Press and hold 5 sec to reboot.
  - Press and hold 10 sec to factory reset.

### Outputs

- LED indication
  - Power (red): Red light indicator will be on if power supply is connected.

- Wi-Fi (varies):
  - Blue light indicator will be on if in AP mode.
  - Red light indicator will be on if in STA mode, and not connected to a Wi-Fi network.
  - Yellow light indicator will be on if in STA mode, and connected to a Wi-Fi network. Not connected to Shelly Cloud or Shelly Cloud disabled.
  - Green light indicator will be on if in STA mode, and connected to a Wi-Fi network and the Shelly Cloud.
  - The light indicator will be flashing Red/Blue if OTA update is in progress.
- LAN (green): Green light indicator will be on if LAN is connected.
- Out 1 (red): Red light indicator will be on if the Output 1 relay is closed.
- Out 2 (red): Red light indicator will be on if the Output 2 relay is closed.
- Out 3 (red): Red light indicator will be on if the Output 3 relay is closed.

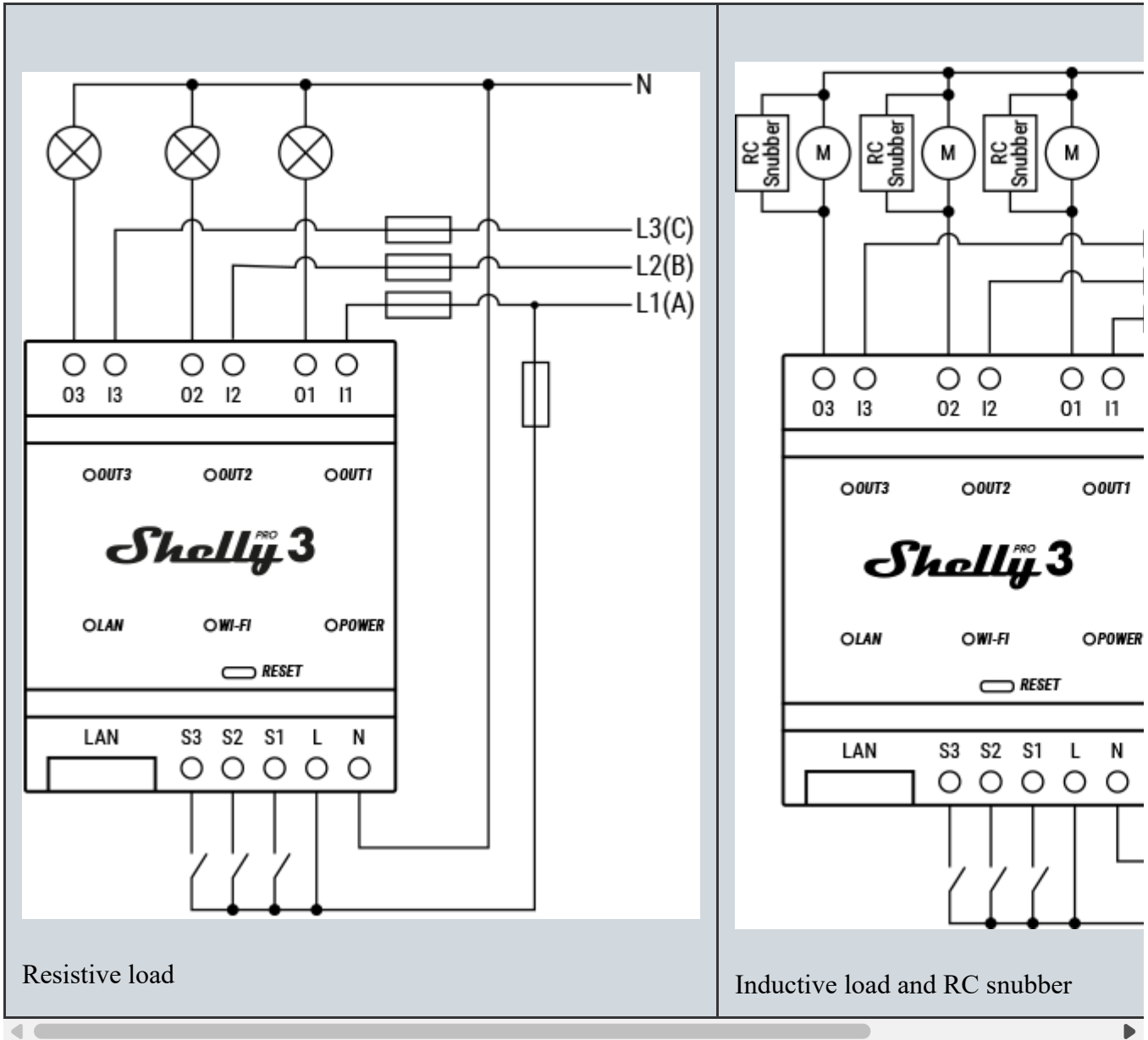
## Specifications

Type	Value
<b>Physical</b>	
Size (HxWxD):	96x53x59 ±0.5 mm / 3.78x2.01x2.32 ±0.02 in
Weight:	
Mounting:	DIN rail
Screw terminals max torque:	0.4 Nm / 4.43 lbin
Conductor cross section:	0.5 to 2.5 mm <sup>2</sup> / 20 to 14 AWG
Conductor stripped length:	6 to 7 mm / 0.24 to 0.28 in
Shell material:	Plastic
Color:	Black
<b>Environmental</b>	
Ambient temperature:	-20 °C to 40 °C / -5 °F to 105 °F
Humidity	30 % to 70 % RH
Max. altitude	2000 m / 6562 ft
<b>Electrical</b>	

Power supply voltage AC:	110 - 240 V
Power supply voltage DC:	N/A
Power consumption:	< 3 W
Neutral not needed:	No
<b>Output circuits ratings</b>	
Max switching voltage AC:	240 V
Max switching voltage DC:	30 V
Max switching current AC:	16 A per channel, 48 A total
Max switching current DC:	16 A per channel, 48 A total
<b>Sensors, meters</b>	
Internal-temperature sensor:	Yes
<b>Radio</b>	
RF band:	24010- 2495 MHz
Max. RF power:	<20 dBm
Wi-Fi protocol:	802.11 b/g/n
Wi-Fi Range:	Up to 30 m / 100 ft indoors and 50 m / 160 ft outdoors (Depends on local conditions)
Bluetooth Protocol:	4.2
Bluetooth Range:	Up to 10 m / 33 ft indoors and 30 m / 100 ft outdoors (Depends on local conditions)
<b>MCU</b>	
CPU:	ESP32-D0WDQ6
Flash:	8 MB
<b>Firmware capabilities</b>	
Schedules:	20
Webhooks (URL actions):	20 with 5 URLs per hook
Scripting:	Yes

MQTT:	Yes
CoAP:	No

## Basic wiring diagram



## Legend

Terminals		Wires	
I1, I2, I3	Load circuit input terminals	L1(A)	Load circuit 1 live (110-240 V) wire
O1, O2, O3	Load circuit output terminals	L2(B)	Load circuit 2 live (110-240 V) wire

<b>S1, S2, S3</b>	Switch/button input terminals	<b>L3(C)</b>	Load circuit 3 live (110-240 V) wire
<b>L</b>	Live (110-240 V) terminal	<b>N</b>	Neutral wire
<b>N</b>	Neutral terminal		
<b>LAN</b>	Local Area Network RJ 45 connector		

## Shelly Smart Control

- [Adding the device to the Shelly Smart Control](#)

## Shelly Web user interface

- [Shelly Pro 3 Web user interface guide](#)

## Troubleshooting

...

## Components and APIs

- [This device](#)
- [All Shelly devices and services](#)

## Printed user guide

- [Shelly Pro 3 multilingual printed user and safety guide.pdf](#)
- [Ръководство за употреба и безопасност](#)

## Compliance

- [Shelly Pro 3 multilingual EU declaration of conformity 2025-07-21.pdf](#)
- [Shelly Pro 3 UK PSTI ACT Statement of compliance.pdf](#)
- [Shelly Pro 3 AU NZ Certificate for Suitability .pdf](#)

Compliance archive

[Shelly Pro 3 multilingual EU declaration of conformity 18 2022-11-14.pdf](#)

## Installation guides

