

# 27" LED UHD Monitor

MW3227-F



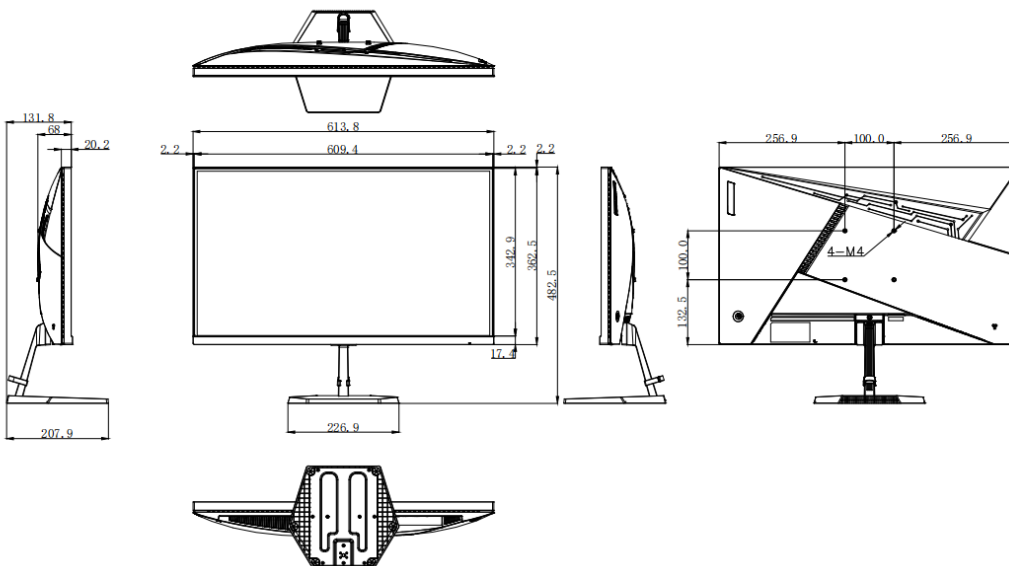
## Specifications

| Panel                           | Description  |
|---------------------------------|--|
| Panel Type                      | LED Backlight  |
| Panel Size                      | 27"  |
| Pixel Pitch (H*V) (mm)          | 0.1554*0.1554  |
| Resolution                      | 3840*2160  |
| Color Support                   | 10bit(D), 1.07Billion colors   |
| Brightness (cd/m <sup>2</sup> ) | 300  |
| Contrast Ratio                  | 3000:1   |
| Refresh Rate                    | 60Hz   |
| Response Time (ms)              | 14   |
| Viewing Angle (H/V)             | 178° /178°   |
| Display size (H * V) (mm)       | 596.736*335.664  |
| Interface                       | Description  |
| Input Interface                 | 2* DP、2* HDMI  |
| Output Interface                | 1*AUDIO OUT  |
| Signal input                    | Description  |
| Signal input                    | HDMI2.1: 3840*2160 60Hz、3840*2160 30Hz<br>DP1.4: 3840*2160 60Hz、3840*2160 30Hz |
| VESA                            | Description  |

|                                 |   |
|---------------------------------|---|
| VESA (mm)                       | 100*100   |
| <b>General</b>                  | <b>Description</b>  |
| Input Voltage                   | AC 100 to 240V, 50/60Hz                                     |
| Typical power consumption (W)   | ≤48   |
| Standby power consumption (W)   | ≤0.5  |
| Product Dimensions (W*H*D) (mm) | 613.8*362.5*68mm  |
| Package Dimensions (W*H*D) (mm) | 740*123*457mm   |
| Weight (Kg)                     | Net Weight:4KG<br>Gross Weight:5.84KG                       |
| Operation Temperature           | 0° C ~ 50 ° C   |
| Operating Humidity              | 10%~85%   |
| Storage Temperature             | -20° C ~ 60° C  |
| Standard                        | 1*Power Cable 、 1*HDMI cable (1.5m) 、 1*QSG、 1*Base support |

## Ordering Info

| Product Model | Description         |
|---------------|---------------------|
| MW3227-F      | 27" LED UHD Monitor |



### Zhejiang Uniview Technologies Co., Ltd.

No. 369, Xietong Road, Xixing Sub-district, Binjiang District, Hangzhou City, 310051, Zhejiang Province, China

Email: [overseasbusiness@uniview.com](mailto:overseasbusiness@uniview.com); [globalsupport@uniview.com](mailto:globalsupport@uniview.com)

<http://www.uniview.com>

©2023-2024 Zhejiang Uniview Technologies Co., Ltd. All rights reserved.

\*Product specifications and availability are subject to change without notice.

\*Despite our best efforts, technical or typographical errors may exist in this document. Uniview cannot be held responsible for any such errors and reserves the right to change the contents of this document without prior notice.